

DESK TYPE (150W/250W)

MF/HF DSC, NBDP RADIO EQUIPMENT

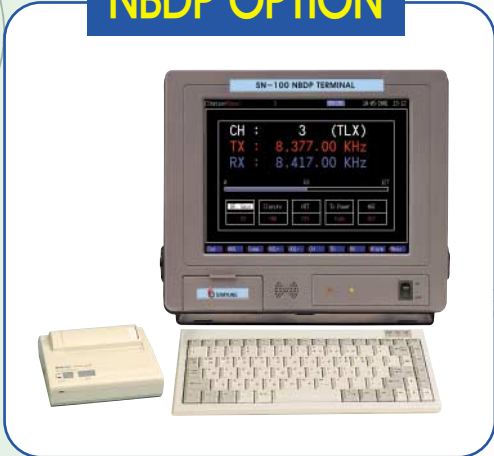
Compliant with GMDSS Requirement



NEW PRODUCT

Adopt NBDP terminal (10.4" LCD screen), display frequency double on the LCD screen to read information efficiently

NBDP OPTION



SRG-1150DN / SRG-1250DN



SAMYUNG ENC Co.,Ltd.

SRG-1150DN/1250DN(DSC, NBDP) MF/HF Radio Equipment, which is designed and developed for medium and long range communications, fully complied with all the requirements of GMDSS that can be installed on both IMO and non-IMO vessel. SRG-1150DN/1250DN(DSC, NBDP), which is intergrated with DSC unit, Direct Digital Synthesizer(DDS) and Noise Blanker Circuit, enables reliable communications and also ease of installation owing to compact and light weight with NBDP function.

FEATURES

- ▶ Compliant with ITU, IMO and GMDSS
- ▶ Compact & transmitter-receiver with a built-in DSC
- ▶ Easy to read information with large LCD(10.4) for NBDP terminal
- ▶ Easy to read Rx & Tx frequency at a time
- ▶ Available scanning variability of transmitter output, frequency & channel
- ▶ High stability for frequency with 10Hz Step Synthesizer
- ▶ Built-in alarm signal(2182KHz)
- ▶ Storing up to 100 transmitted message(editable)
- ▶ Storing up to 100 received message (every 50 messages for distress and ordinary)
- ▶ Self-diagnosis function for easy maintenance

SPECIFICATIONS

■ GENERAL

- Frequency range : TX :1.6~27.5MHz (10Hz STEP)
RX :500KHz~29.9999MHz (10Hz STEP)
- TX/RX channel : ITU channel, 300 memory channel
- Frequency tolerance : Within 10HZ
- Type of emission : J3E, H3E, F1B
- Operation : Simplex & Semi-duplex
- Ambient temperature & Humidity : -15℃~+55℃, 95%
- Power supply : DC24V ± 15% (2.5A at Reception, 15A at Transmission / SRG-1150DN)
(2.5A at Reception, 25A at Transmission / SRG-1250DN)

■ TRANSMITTER

- Type of emission and output : J3E(150W), F1B(100W), H3E(75W):SRG-1150DN
J3E(250W), F1B(150W), H3E(75W):SRG-1250DN
- Modulation : Low level balanced
- Occupied bandwidth : Within J3E(3KHz), F1B(0.5KHz)
- Two-tone distress signal : 1300, 2100Hz

■ RECEIVER

- Sensitivity : J3E 3uV, F1B 3uV, H3E 6uV, S/N 20dB 100m/w
- Intermediate frequency : 49.455MHz, 455KHz
- Overall distortion and noise : More than 20dB
- Input impedance : 50Ω

■ DSC WATCH KEEPING RECEIVER

- Frequency : 2187.5, 4207.5, 6312, 8414.5, 12577, 16804.5KHz
- Type of emission : F1B
- Frequency shift keying : 1700±85Hz (Mark: 1615Hz, Space: 1785Hz)
- Data transfer speed: 100 baud
- Frequency tolerance : 10Hz

■ NBDP

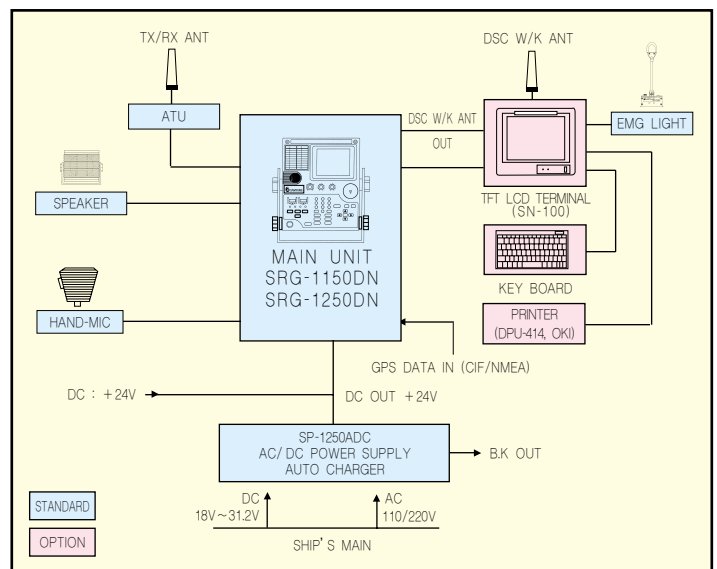
- Protocol : 625, 476-4, 490, 491, 492-3 & F130 by CCIR
- Communication mode : ARQ, CFEC, SFEC
- Memory : 16M
- Middle range of frequency : 1700 Hz

- Modulation speed : 100 BAUD(ARQ, FEC MODE)
- Type of modulation : AFSK
- Frequency tolerance : Within 0.5Hz

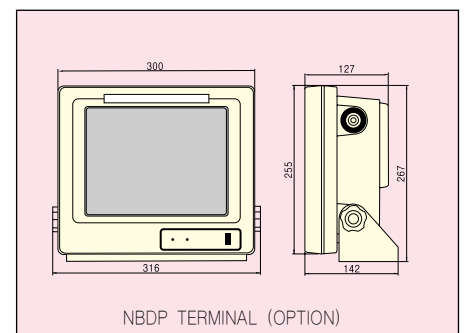
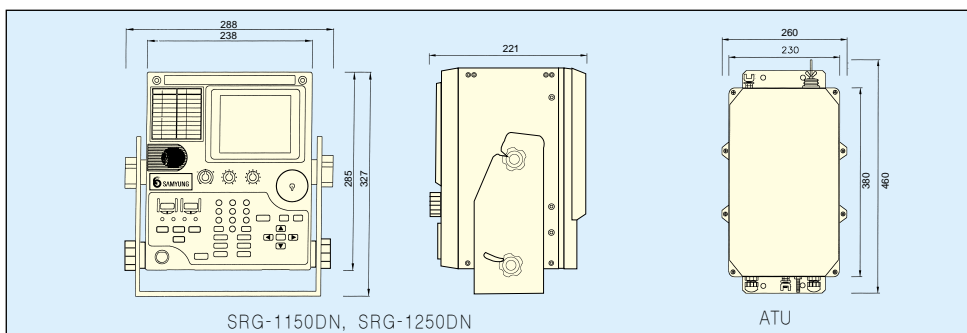
■ OPTION (NBDP)

- NBDP TERMINAL (SN-100)
- PRINTER (DPU-414, OKI)
- KEY BOARD (SPR-8630)

CONFIGURATION



DIMENSIONS



SAMYUNG ENC Co.,Ltd.

Head Office : 1123-17, Dongsam-Dong, Youngdo-Gu, Busan, Korea, 606-083

Tel : 82-51-601-6666(Rep.) Fax : 82-51-412-6616

Marketing & Service : 65-20, 2-Ga Namhang-Dong, Yungdo-Gu, Busan, Korea, 606-032

Tel : 82-51-601-5530(Rep.) Fax : 82-51-413-4446

Http : //www.samyungenc.com



ISO 9002 / KS A 9002
Certificate No. : QSC92073

