

GPS Navigator KGP-920

Fully compliant with New IMO requirements



FEATURES

Compliant with New IMO

Meeting with New IMO requirements MSC.112(73) and IEC 61108-1 Ed.2 for SOLAS carriage requirements. Approved for U.S. Coast Guard Module B.

GNSS sensor of AIS

The KGP-920 GPS Navigator can be used as a GNSS sensor of AIS.

SBAS available

The satellite based positioning correction system fully operated. The systems called WAAS (USA), EGNOS (EU) and MSAS (ASIA) .

Quick positioning

The true parallel 18 channel GPS receiver provides precise and quick positioning at any time.

Optional Beacon DGPS

The built-in beacon receiver is available as an option. It can be used as a high-accuracy differential GPS navigator.

SPECIFICATIONS

GPS receiver

Receiving frequency	1575.42 MHz
Receiving channel	18 channel parallel
Receiving code	C / A code
Sensitivity	Better than -130 dBm (elevation angle: 5° or over)
Accuracy	Position 10 m 2drms (GPS), 5 m 2drms (DGPS), 8 m 2drms (SBAS)
	SOG 0.1 kt rms
(HDOP ≤ 4)	COG ±3° (SOG 1-17 kt), ±1° (SOG >17 kt)

Note: Accuracy is subject to change in accordance with DoD civil GPS user policy.

Display section

Display	LCD with backlight (128 x 64 dots, effective picture area: 85.71 x 54.35 mm)
Display mode	Standard text (NAV1), Navigation graph (NAV2), 3-D Highway (NAV3), Simple plotter (PLOT), MOB (Man Over Board)
Position data display	Latitude / longitude in increments of 0.0001 minute, converted Loran C LOPs, converted Loran A LOPs, converted Decca LOPs
Instant (event) memory	200 points
Waypoint memory	200 points
Route memory	20 routes (Max. 400 waypoints) reverse trail possible
Alarm	Proximity, Cross track error, CDI, Anchor watch
Position compensation	Latitude / longitude, LOPs, Datum
Magnetic compensation	Auto or manual
Power supply	10.8 to 31.2 VDC
Power consumption	4.5 W or less (at 24 VDC)

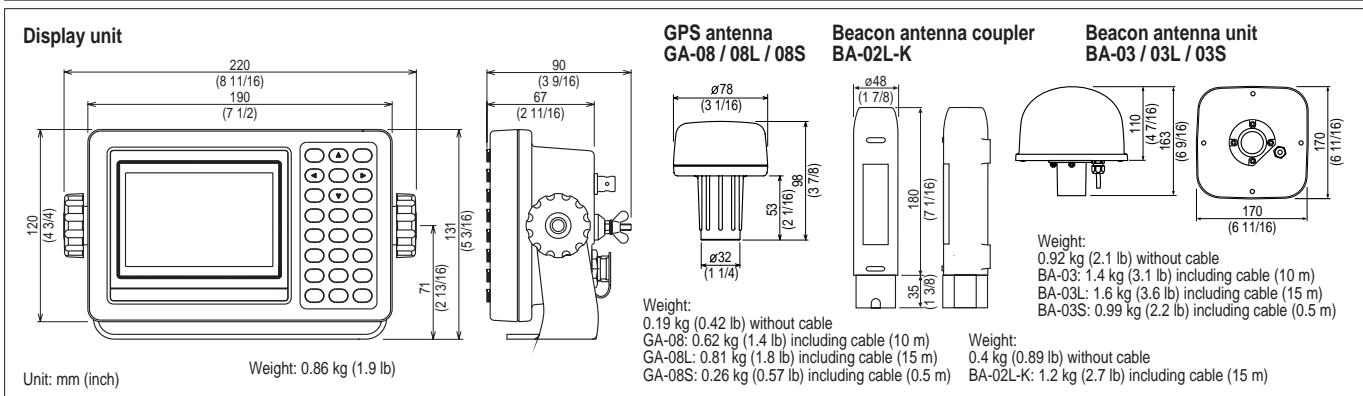
Environment

Operating temperature	Display unit: -15° to +55°
	Antenna unit: -25° to +55°
Waterproofing	Display unit: IPX4
	Antenna unit: IPX6

Data Input / Output

Output data format (DATA connector)	IEC 61162-1 / NMEA 0183 Ver.1.5 (NMEA1, 2) / CIF / SHIPMATE (AAM, APB, BOD, BWC, DCN, DTM, GBS, GGA, GLC, GLL, GNS, GSA, GSV, MSS, RMB, RMC, Rnn, RTE, SGR, VTG, WDC, WPL, XTE, ZDA)
Output data format (DATA2 connector)	IEC 61162-1 (AAM, APB, BOD, BWC, DCN, DTM, GBS, GGA, GLC, GLL, GNS, GSA, GSV, MSS, RMB, RMC, Rnn, RTE, SGR, VTG, WDC, WPL, XTE, ZDA)
Input data format	RTCM SC104 Ver.2.0 (DGPS)

DIMENSIONS AND WEIGHT



EQUIPMENT LIST

Standard Equipment (KGP-920)

Display unit	KGP-920	With mounting bracket and vinyl cover	1
GPS antenna as standard	GA-08L	With 15 m antenna cable and BNC connector	1
Other antenna selection	GA-08	With 10 m antenna cable and BNC connector	
	GA-08S	With 0.5 m antenna cable for cable extension 30 m / 60 m and N-P connector	

DC power cable, Spare parts, Installation material, Operation manual

Standard Equipment (KGP-920 with beacon receiver)

Display unit	KGP-920	With beacon receiver, mounting bracket and vinyl cover	1
GPS antenna as standard	GA-08L	With 15 m antenna cable and BNC connector	1
Other antenna selection	GA-08	With 10 m antenna cable and BNC connector	
	GA-08S	With 0.5 m antenna cable for cable extension 30 m / 60 m and N-P connector	
Electric field type beacon antenna coupler	BA-02L-K	With 15 m antenna cable and BNC connector	1

DC power cable, Spare parts, Installation material, Operation manual

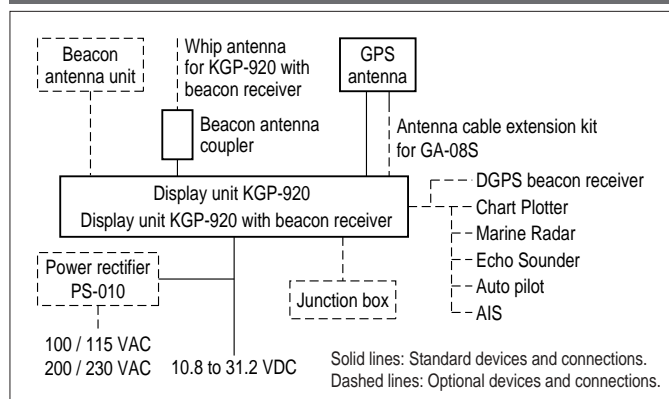
Option (KGP-920)

Connecting cable, Flush mount kit, Antenna cable extension kit 30 m / 60 m, N / BNC converter connector cable, Power rectifier, AC power cable, Junction box

Option (KGP-920 with beacon receiver)

Connecting cable, Flush mount kit, Antenna cable extension kit 30 m / 60 m, N / BNC converter connector cable, Power rectifier, AC power cable, Junction box Whip antenna RA-14A, Magnetic field type beacon antenna unit BA-03L with 15 m cable / BA-03 with 10 m cable / BA-03S with 0.5 m cable

CONNECTIONS



• Design and specifications are subject to change without notice.

KODEN Koden Electronics Co., Ltd.

Tamagawa Office:
 2-13-24 Tamagawa, Ota-ku, Tokyo, 146-0095 Japan
 Tel: +81-3-3756-6501 Fax: +81-3-3756-6509
 Uenohara Office:
 5278 Uenohara, Uenohara-shi, Yamanashi, 409-0112 Japan
 Tel: +81-554-20-5860 Fax: +81-554-20-5875

overseas@koden-electronics.co.jp

www.koden-electronics.co.jp



Safety precaution To ensure proper and safe use of the equipment, please carefully read and follow the instructions in the Operation Manual.

For details, please contact: